



Reusable breakaway coupling 'SB-CNG' for service stations protects CNG dispensers from drive-away incidents by separating and isolating the hose assemblies. Light weight design with soft bump stop protects dispenser panels from damage in case of a breakaway event. Easily reconnectable after a breakaway event.

For use on CNG dispensers with Fill and Vent Line (twin-hose), each to be installed as inline breakaway between two hose assemblies ('hose break').

Service pressure 250 bar (3600 psi), MAWP 312,5 bar (4500 psi).

Materials: Body aluminium. Caps, breakaway part and springs stainless steel, seals nitrile, bump stops polyurethane.

To ANSI/IAS NGV4.4-1999 R2014 / CSA 12.54M99. CRN for all provinces and territories. To PED 2014/68/EU.

3/8" (DN 10) CNG Fill Line Dispenser Safety Break with 1/4" (DN 6) CNG Vent Line Dispenser Safety Break

SB-CNG

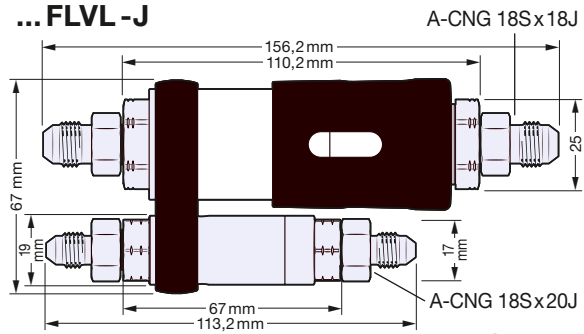
CNG Dispenser Safety Break for refuelling of vehicles. For Fill and Vent Lines, reusable.

Temperature range -40°C to +65°C (-40°F to 149°F), Cv-value = 1,65.

SB-CNG



... FLVL -J



3/8" (DN 10) CNG Fill Line Dispenser Safety Break (FL)

... FL ...

... FLVL -S



1/4" (DN 6) CNG Vent Line Dispenser Safety Break (VL)

... VL ...

... VL -EL -J



With Extention 'EL' (Extended Length) for SB-CNG VL. For the use of Fill- and Vent Line with identical length. Additional weight: + 0,25kg

... EL ...

CNG Dispenser Safety Breaks for Fill and Vent Line (FLVL)

1,27 kg

FL: 9/16"-18 J514 37° (JIC 37°)

... -J

CNG Fill Line Dispenser Safety Break (FL)

0,92 kg

VL: 7/16"-20 J514 37° (JIC 37°)

Standard

CNG Vent Line Dispenser Safety Break (VL)

0,35 kg

both sides male with adapter

CNG Dispenser Safety Breaks for Fill and Vent Line (FLVL)

1,15 kg

9/16"-18 J1926 (SAE/BOSS)

... -S

CNG Fill Line Dispenser Safety Break (FL)

0,86 kg

both sides female

CNG Vent Line Dispenser Safety Break (VL)

0,29 kg

without adapter

... FL -J



... VL -J



... FL -S



... VL -S

