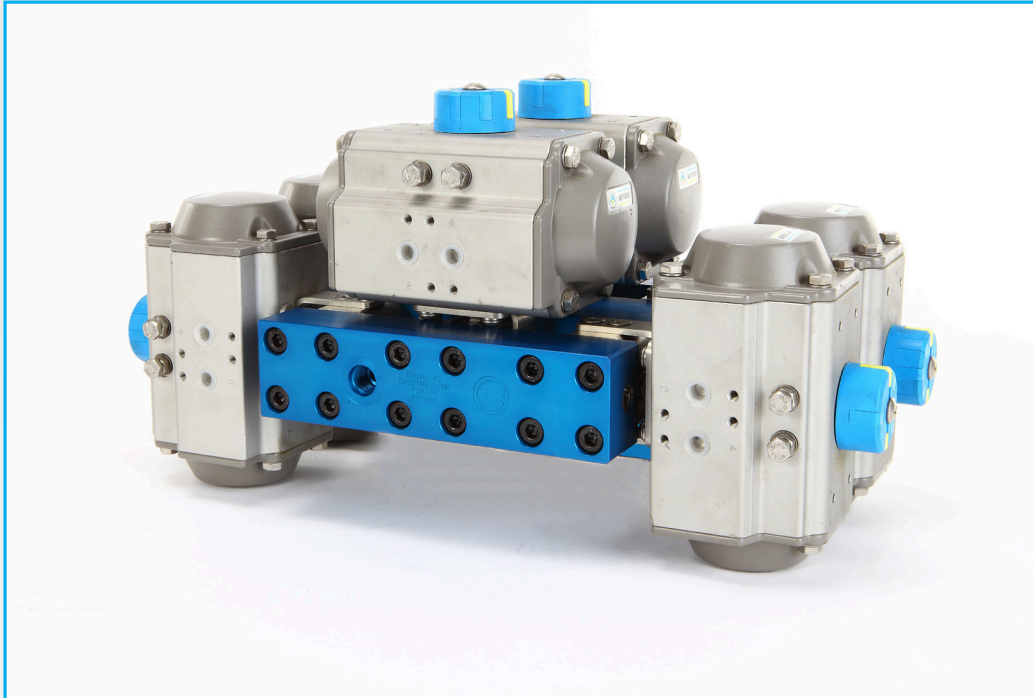




100 Series CNG Dispenser Manifold

Applications

CNG Dispenser



DM104-87 - CNG Dispenser Manifold

Materials

Item	Part	Material
1	Blocks	6061 Aluminum
2	Actuator Brackets	304 Stainless steel
3	Sandwich Valves	As per standard specifications
5	Actuator	As per manufacturer specifications

Features & Benefits

Service kits are readily available & easy to install.

CNC machining allows tighter tolerances to be maintained, which extends the working life of the components.

The complete Oasis range has been cycle tested to ensure LOWEST LIFE COST.

Complies with PED 2014/68/EU.

All products are manufactured to ISO 9001 standards.

Product Specification

Part Code	Mass lb (kg)	Min. Operating Pressure bar (psi) *	Max. Operating Pressure bar (psi)**	Min. Temp. °F (°C)	Max Temp. °F (°C)	Cycles Before Rekit ^	Stem Open Torque ft-lb (Nm)^^	Cv
DM104-87	63.3 (28.7)	34 (500)	380 (5500)	-40 (-40)	185 (85)	100,000	3.3 (4.5)	3.5

* Minimum system pressure the product will hold constant bubble tight seal.

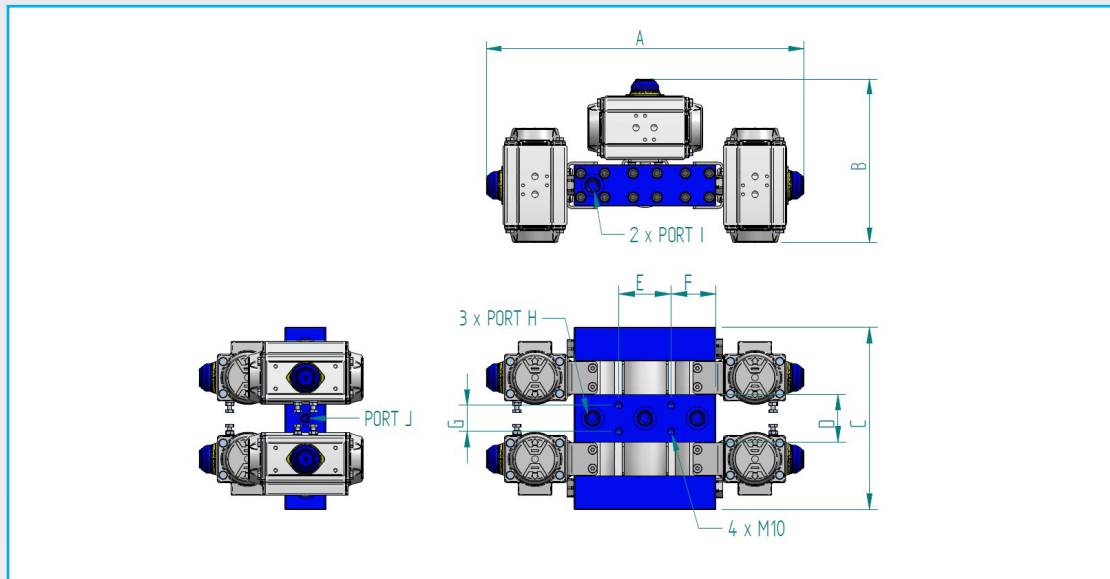
** Maximum pressure at which the product can constantly operate at.

^ It is recommended that the dispenser manifold is re-kitted on or before the maximum number of allowable cycles.

^^ Opening Torque at 5500 psi



100 Series CNG Dispenser Manifold



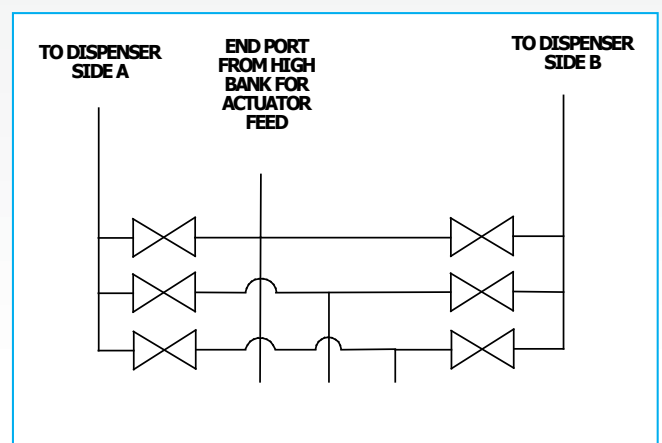
Dimensions (mm)

Part Code	Size	A	B	C	D	E	F	G	PORT H	PORT I	PORT J
DM104-87	1/2"	425	220	244	64	70	60	35	3/4 - 16 SAE FEMALE	3/4 - 16 SAE FEMALE	7/16 - 20 SAE FEMALE

Port Descriptions

Port Identification	Port description
PORT J	H, M, L supply
PORT K	To dispenser (side A/B)
PORT L	Actuator feed

P & ID

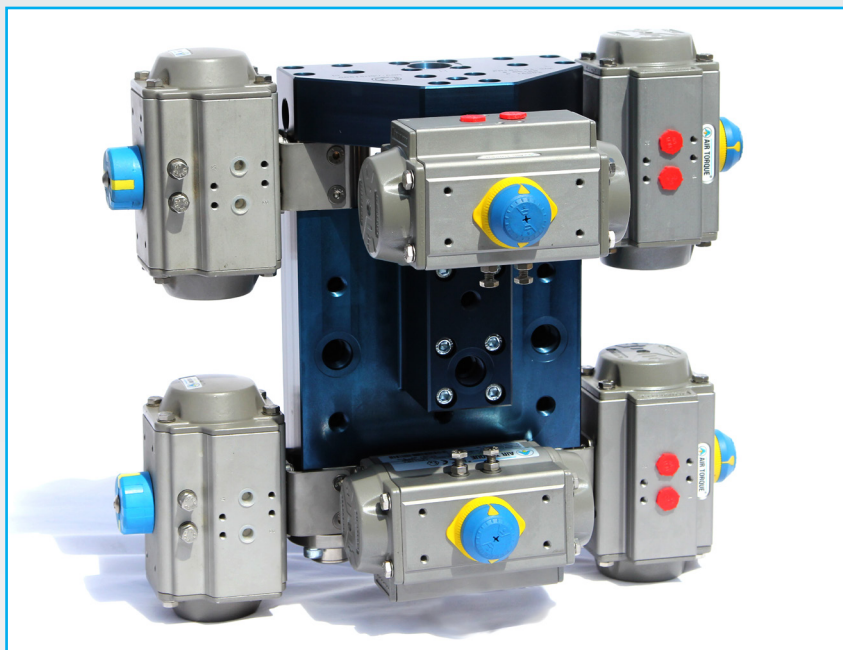




100 Series CNG Priority Manifold

Applications

CNG Priority Panel, for use in dispensing stations



Materials

Item	Part	Material
1	Blocks	6061 Aluminium
2	Actuator Brackets	304 Stainless steel
3	Sandwich Valves	As per standard specifications
4	Check Valves	As per standard specifications
5	Actuator	As per manufacturing specifications

Features & Benefits

Service kits are readily available & easy to install.

CNC machining allows tighter tolerances to be maintained, which extends the working life of the components.

The complete Oasis range has been cycle tested to ensure LOWEST LIFE COST.

All products are manufactured to ISO 9001 standards.

More product information available online at oasisngv.com/resources.

Complies to PED 2014/68/EU.

Product Specification

Part Code	Mass lb (kg)	Min. Operating Pressure bar (psi) *	Max. Operating Pressure bar (psi) **	Min. Temp. °F (°C)	Max Temp. °F (°C)	Cycles Before Rekit ^	Stem Open Torque ft-lb (Nm)^^	Cv
PM104-STD-SAE-ASM	(36) 16.5	34 (500)	410 (6000)	-40 (-40)	185 (85)	100,000	3.3 (4.5)	3.3
PM104-TLB-SAE-ASM	(36) 16.5	34 (500)	410 (6000)	-40 (-40)	185 (85)	100,000	3.3 (4.5)	3.3

* Minimum system pressure the product will hold constant bubble tight seal.

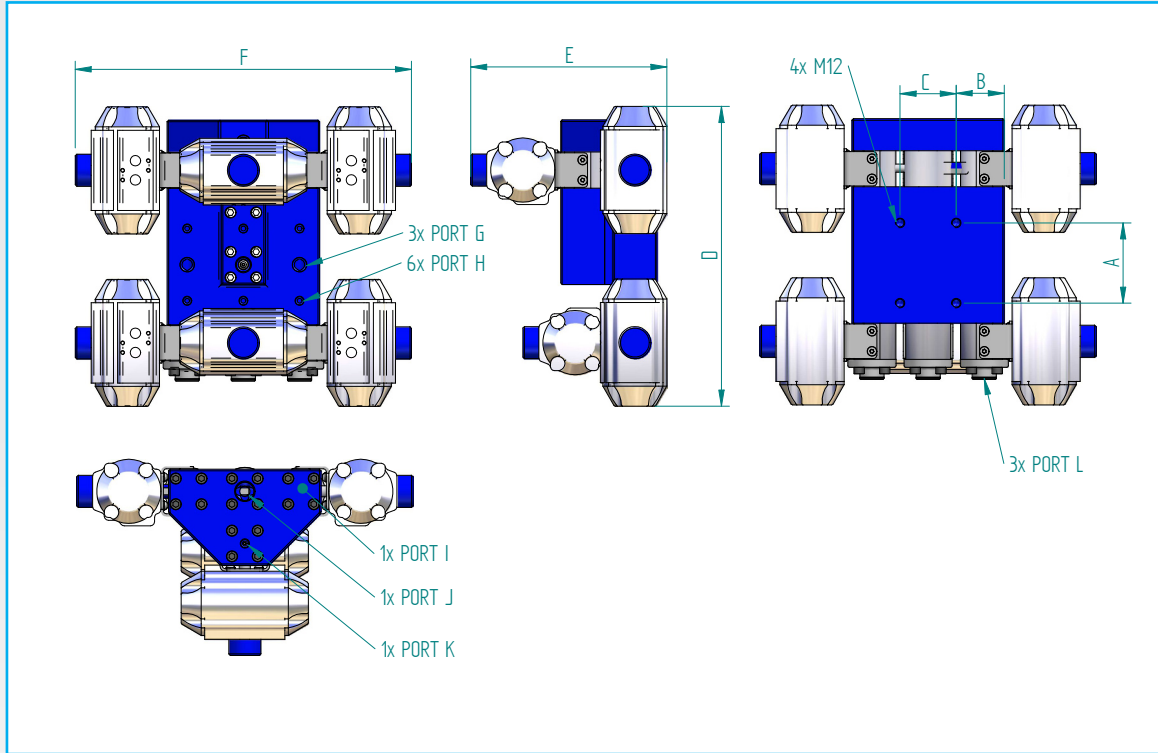
** Maximum pressure at which the product can constantly operate at.

^ It is recommended that the priority panel is re-kitted on or before the maximum number of allowable cycles.

^^ Opening Torque at 6,000 psi



100 Series CNG Priority Manifold



Dimensions (mm)

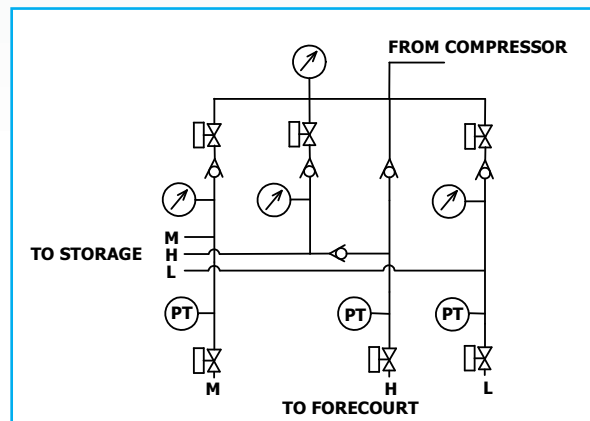
Part Code	Size	A	B	C	D	E	F
PM104-STD-SAE-ASM	1/2"	100	60	70	374	245	420
PM104-TLB-SAE-ASM	1/2"	100	60	70	374	245	420

Part Code	PORT G	PORT H	PORT I	PORT J	PORT K	PORT L
PM104-STD-SAE-ASM	3/4 - 16 SAE	1/4" NPT	N/A	1 1/16 - 12 SAE	1/4" NPT	3/4 - 16 SAE
PM104-TLB-SAE-ASM	3/4 - 16 SAE	1/4" NPT	1 1/16 - 12 SAE	1 1/16 - 12 SAE	1/4" NPT	3/4 - 16 SAE

Port Descriptions

Port Identification	Port description
PORT G	H, M, L supply
PORT H	Pressure transducer and gauge ports
PORT I	Low pressure trailer supply
PORT J	From compressor
PORT K	Pressure gauge port
PORT L	To forecourt

P & ID





100 Series Trailer Load/Unload Manifold

Applications

Suitable for CNG, Hydrogen, Helium, Bio-Gas, Nitrogen and Air

Bulk gas trailers

Bulk gas cylinder storage stacks

Gas vehicle cylinder stacks

Fast fill cylinder stacks

Product Information

All products are manufactured to ISO 9001 standards.

Quarter turn handle.

Suitable with Oasis 1" quick connect couplers.

Can be manufactured to your specifications, contact us for details.

Complies to PED 2014/68/EU.



TM106-4G62DDN-E000

Materials

Part	Material
Body/Cap	304 Stainless steel
Handle	304 Stainless Steel
Ball and Stem	316 Stainless steel
O-rings	Nitrile
Seats and Glands	Delrin

Product Specification

Part Code	Size	Mass lb (kg)	Min. Operating Pressure bar (psi) *	Max. Operating Pressure bar (psi) **	Min. Temp. °F (°C)	Max. Temp. °F (°C)	Cycles Before Rekit ^	Stem Open Torque ft- lb (Nm) ^^	Cv	Service Kit
TM106-4G62DDN-E000	3/4"	14.3(6.5)	0.5 (7)	410 (6000)	-40 (-40)	185 (85)	100,000	31(22.8)	15.8	TM106-SK62DDN-S

* Minimum pressure that the product will hold constant bubble tight seal.

** Maximum pressure at which the product can continuously operate at.

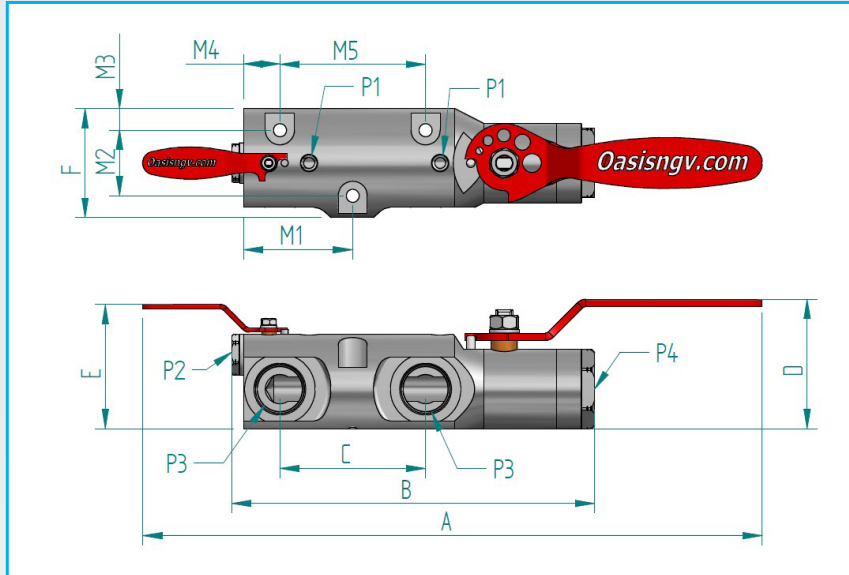
^ It is recommended that the trailer manifold is re-kitted on or before the maximum number of allowable cycles.

^^ Opening torque of main valve at 6,000 psi



100 Series Trailer Load/Unload Manifold

Product Specifications



TM106-4G62DDN-E000

Dimensions: Imperial (Metric mm)

Part Code	A	B	C	D	E	F	PORT P1	PORT P2	PORT P3	PORT P4
TM106-4G62DDN-E000	16.75" (425.5)	9.8" (249)	3.93" (100)	3.5" (89)	3.4" (85.3)	2.9" (75)	1/4" NPT Female	1/4" NPT Female	1 5/16-12" SAE Female	1 5/16-12" SAE Female

Mounting Dimensions: Imperial (Metric mm)

Part Code	M1	M2	M3	M4	M5	M6
TM106-4G62DDN-E000	2.95" (75)	1.77" (45)	.59" (15)	.98" (25)	3.94" (100)	.35" (9)

P&ID

P1 = Gauge Port/Spare Gauge Port

P2 = Vent Port

P3 = To/From Storage

P4 = To/From Storage

