



100 Series 45° Fill Valve

Application

CNG and Bio-Gas Dispensers for Car, Bus and Truck filling & CNG Bio-Gas Trailer load/unload systems.



FV103-4-00A-0 45° Fill Valve

Materials

Item	Description	Material
1	45° Valve Body	6061 Aluminium
2	Valve Caps	304 Stainless Steel
3	Seats	Delrin
4	Balls	316 Stainless Steel
5	Stems	316 Stainless Steel
6	Thrusts	Delrin
7	Glands	Delrin

Item	Description	Material
8	Stem O-rings	Nitrile
9	Stem Backup	Nitrile
10	Cap & Seat O-rings	Nitrile
11	Spring Washers	304 Stainless Steel
12	Stem Nuts	304 Stainless Steel
13	Valve Handle	304 Stainless Steel
14	Handle Sleeve	Black Urethane

Product Information

All products are manufactured under ISO 9001 accredited standards.

The FULL FLOW design means more gas is dispensed faster to the vehicle, maximising the number of vehicle fills per day and minimising wasted gas.

Complies to PED 2014/68/EU

Port adaptors are required to attached a nozzle and are available on request. Minimum order quantity may apply.

Features & Benefits

The Oasis full flow fill valve redefines the flow rate standard for NGV gas delivery.

Intuitive fill valve operation.

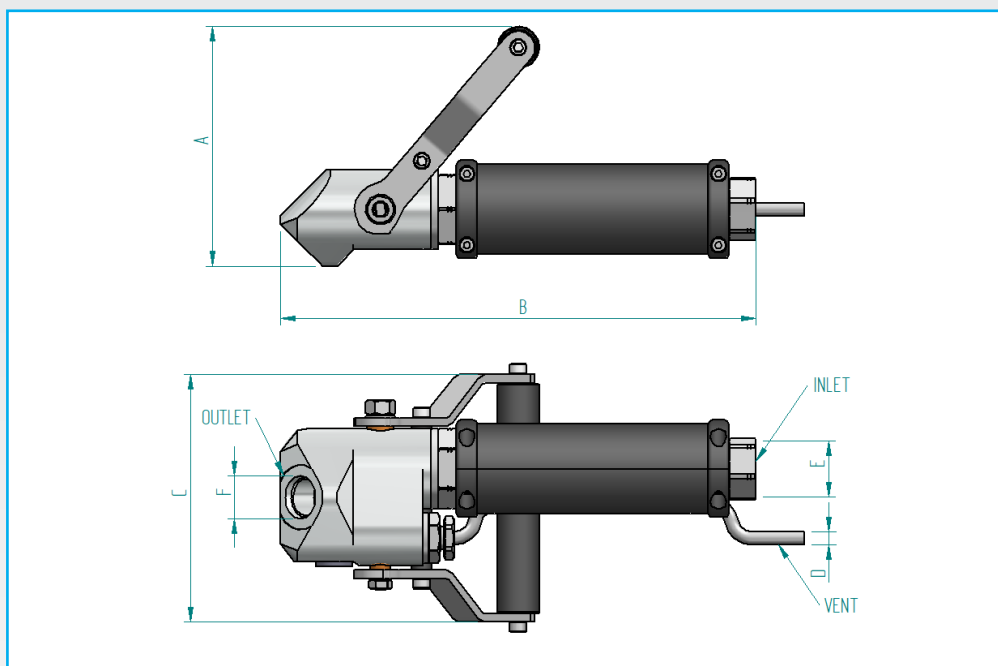
All Oasis fill valves are easily serviced in the field using Oasis's product specific service kits.

Adaptors are available to extend the position of the nozzle.

Video servicing instructions available online at oasisngv.com/resources



100 Series 45° Fill Valve



Dimensions Inch (mm)

Part Code	Size	A	B	C	D (Vent Port)	E (Inlet Port)	F (Outlet Port)
FV103-4-00A-0	3/8"	4.5 (114)	8.9 (227)	4.6 (118)	1/4" Tube	3/4 - 16 SAE	3/4 - 16 SAE

Product Specification

Part Code	Mass lb (kg)	Min. Operating Pressure psi (bar) *	MAWP psi (bar) **	Min Temp °F (°C)	Max Temp. °F (°C)	Stem Open Torque ft-lb (Nm)	Cycles Before Rekit ^	Cv +	Fill Valve Service Kit
FV103-4-00A-0	2.9 (1.3)	7 (0.5)	4532 (312.5)	-40 (-40)	185 (85)	3.7 (5)	100,000	3.1	FV103-SKDN

* Minimum system pressure the product will hold constant bubble tight seal.

** Maximum Allowable Working Pressure, the maximum pressure at which the product can constantly operate at.

^ It is recommended that the fill valve is re-kitted on or before the maximum number of allowable cycles.

+ Tested in accordance with ANSI/ISA 75.02.01:2008



100 Series 45° Fill Valve

Fill valve Service Kits

All wearing components are available for replacement with original Oasis service kits

FV103-SKDN

Fill valve service kit for sealing components, recommended to be replaced on or before the maximum cycles before re-kit as identified in product specifications.



FV103-70

Fill valve handle replacement kit, to be replaced as required



FV103-17

Fill valve 2 piece handle sleeve, to be replaced as required





100 Series 180 Degree Fill Valve

Application

CNG and Bio-Gas dispenser for car, bus and truck filling & CNG and Bio-Gas trailer load/unload systems.



FV103-0-AA6-0 180° Fill Valve

Materials

Item	Description	Material
1	180° Valve Body	6061 Aluminium
2	Valve Caps	304 Stainless Steel
3	Seats	Delrin
4	Balls	316 Stainless Steel
5	Stems	316 Stainless Steel
6	Thrusts	Delrin
7	Glands	Delrin

Item	Description	Material
8	Stem O-rings	Nitrile
9	Stem Backup	Nitrile
10	Cap & Seat O-rings	Nitrile
11	Spring Washer	304 Stainless Steel
12	Stem Nuts	304 Stainless Steel
13	Valve Handle	304 Stainless Steel
14	Handle Sleeve	Black Urethane

Product Information

All products are manufactured under ISO 9001 accredited standards.

The FULL FLOW design means more gas is dispensed faster to the vehicle, maximising the number of vehicle fills per day and minimising wasted gas.

Complies to PED 2014/68/EU.

Port adaptors are required to attached a nozzle and are available on request. Minimum order quantity may apply.

Video servicing instructions available online at oasisngv.com/resources

Features & Benefits

The Oasis full flow fill valve redefines the flow rate standard for NGV gas delivery.

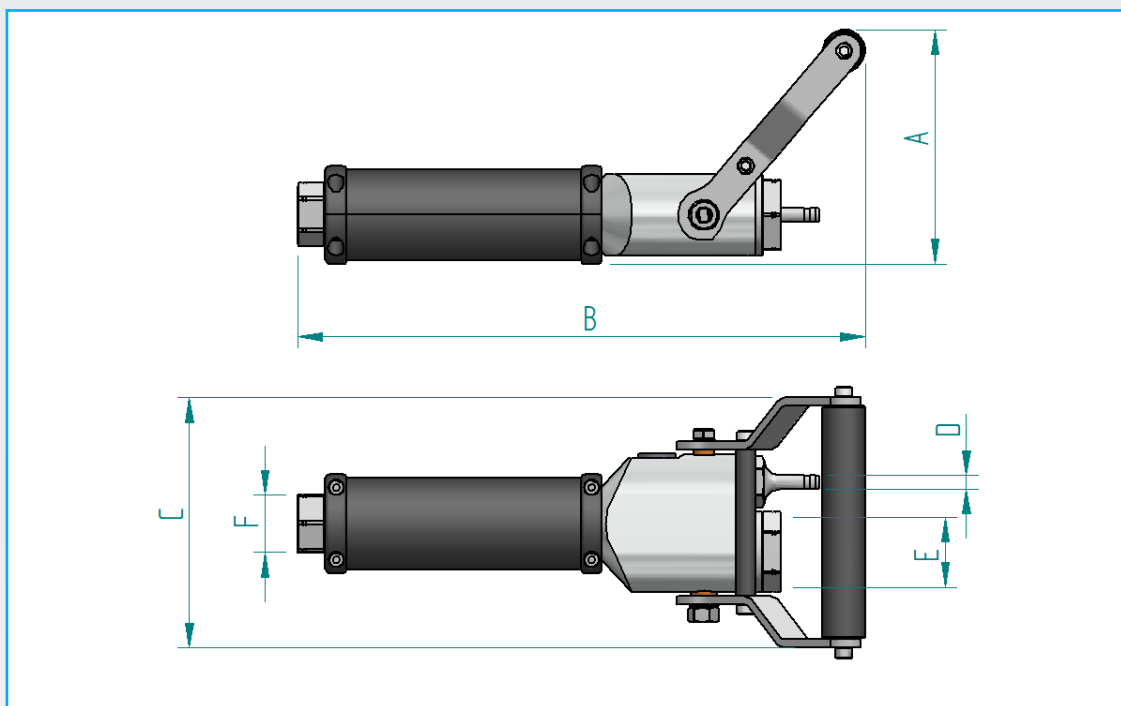
Intuitive fill valve operation.

All Oasis fill valves are easily serviced in the field using Oasis's product specific service kits.

Adaptors are available to extend the position of the nozzle.



100 Series 180 Degree Fill Valve



Dimensions Inch (mm)

Part Code	Size	A	B	C	D (Vent)	E (Inlet)	F (Outlet)
FV103-0-AA6-0	3/8"	4.3 (110)	10.5 (266)	4.6 (118)	1/4" Male Tube Stub	3/4 - 16 SAE	3/4 - 16 SAE

Product Specification

Part Code	Mass lb (kg)	Min. Operating Pressure psi (bar) *	MAWP psi (bar) **	Min Temp °F (°C)	Max Temp. °F (°C)	Stem Open Torque ft-lb (Nm)	Cycles Before Rekit [^]	Cv ⁺	Fill Valve Service Kit
FV103-0-AA6-0	2.9 (1.3)	7 (0.5)	4532 (312.5)	-40 (-40)	185 (85)	3.7 (5)	100,000	3.3	FV103-SKDN

* Minimum system pressure the product will hold constant bubble tight seal.

** Maximum pressure at which the product can constantly operate at.

[^] It is recommended that the fill valve is re-kitted on or before the maximum number of allowable cycles.

⁺ Tested in accordance with ANSI/ISA 75.02.01:2008.



100 Series 180 Degree Fill Valve

Fill valve Service Kits

All wearing components are available for replacement with original Oasis service kits

FV103-SKDN

Fill valve service kit for sealing components, recommended to be replaced on or before the maximum cycles before re-kit as identified in product specifications.



FV103-70

Fill valve handle replacement kit, to be replaced as required



FV103-17

Fill valve 2 piece handle sleeve, to be replaced as required





100 Series Fill Valve Outlet Adaptors & Extensions

Applications

Adaptors and extensions for fitment of nozzles to fill valves.



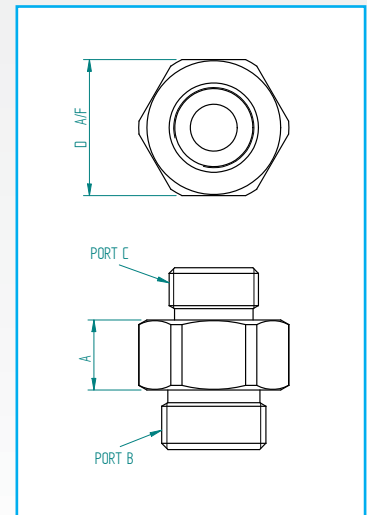
100/50 mm extensions, NC203 and NC104 adaptors.

Features & Benefits

- Easy fitment of Oasis nozzles to Oasis fill valves
- 50mm and 100mm nozzle adaptors to increase nozzle reach.

Product Information

- All products are manufactured under ISO 9001 accredited standards.
- Complies to PED 2014/68/EU.
- An adaptor is required to attached the Oasis nozzle to the Oasis fill valve.
- Supplied with nitrile O-rings.
- CRN (0C23503.5C) approved for all provinces.



Dimensions inch (mm)

Part Code	Length A	Port B	Port C	MAWP bar (psi)*	D A/F
NC103-35	.354 (9)	3/4 - 16 SAE (FV103)	9/16-18 SAE (NC103 P30/P36)	312.5 (4532)	7/8 (22)
NC103-36	1.97 (50)	3/4 - 16 SAE (FV103)	9/16-18 SAE (NC103 P30/P36)	312.5 (4532)	7/8 (22)
NC103-37	3.94 (100)	3/4 - 16 SAE (FV103)	9/16-18 SAE (NC103 P30/P36)	312.5 (4532)	7/8 (22)
SNC104-35	.59 (15)	3/4 - 16 SAE (FV103)	7/8-14 SAE (NC104-200)	312.5 (4532)	1 5/32 (29)

* Maximum Allowable Working Pressure, the maximum static pressure that can be applied without affecting the operation of the product.

We reserve the right to modify product specifications without prior notice.

200 Series NGV1 P30/P36 Fueling Nozzle

Applications

Refuelling and dispensing nozzle for CNG and Bio-Gas applications such as car & bus filling.



P30 & P36 NGV1 Nozzles

Features & Benefits

Hardened segment connection style increases gripping surface area. This significantly reduces wear on male coupling.

Stainless steel construction gives corrosion and wear resistance.

P30 (3000PSI) & P36 (3600PSI) nozzles available.

Green indicator shows coupled position.

Product Information

All products are manufactured under ISO 9001 accredited standards.

Class A tested to 100,000 cycles.

Compatible with receptacles designed to ANSI/CSA NGV1 Standard.

Complies to PED 2014/68/EU.

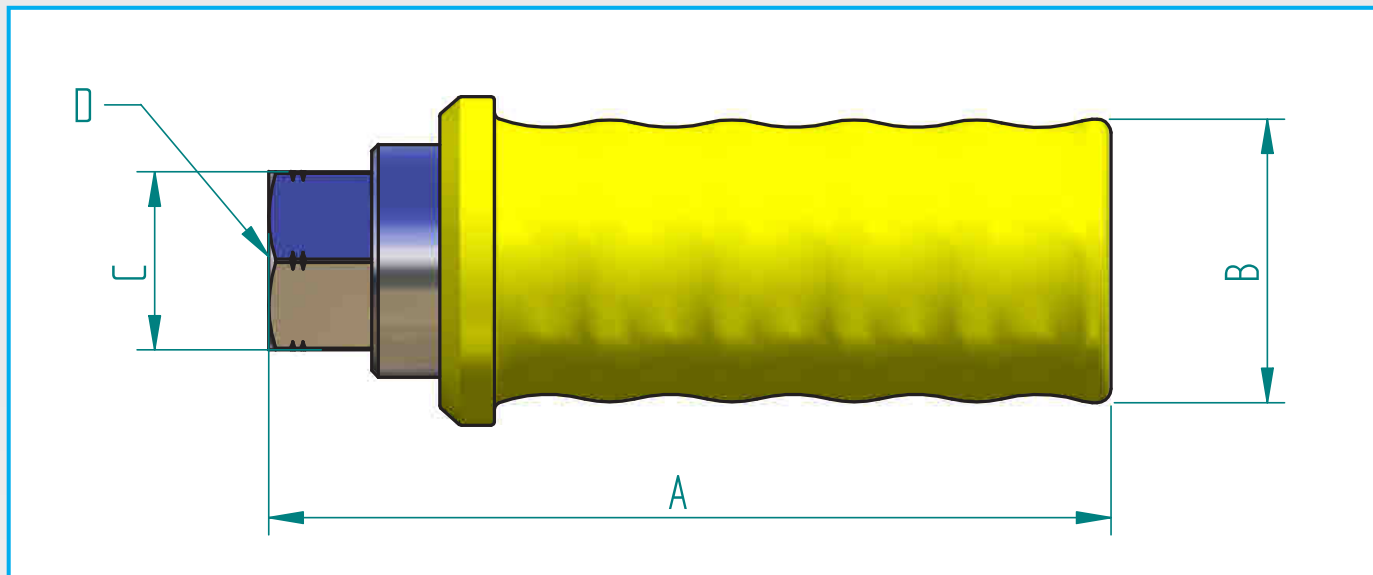
CRN (0A23666.5C) approved for all provinces

Materials

Item	Part	Material
1	Body	316 Stainless Steel
2	Coupler Nose	316 Stainless Steel
3	Poppet	316 Stainless Steel
4	O-rings	Nitrile
5	End Cap	316 Stainless Steel
6	Segments	420 Stainless Steel
7	Ball Bearings	316 Stainless Steel

200 Series NGV1 P30/P36 Fueling Nozzle

Dimensions



Dimensions: Imperial (mm)

Part Code	Size	A	B	C (A/F)	D (Inlet Port)	Handle Sleeve Color
NC203-P30	3/8"	4.84" (122.9)	1.63" (41.4)	1.02" (26)	9/16 - 18 SAE	Blue
NC203-P36	3/8"	4.84" (122.9)	1.63" (41.4)	1.02" (26)	9/16 - 18 SAE	Yellow

Product Specification

Part Code	Mass lb (kg)	Service Pressure bar (psi) *	MAWP bar (psi)**	Min. Temp. °F (°C)	Max. Temp. °F (°C)	Cycles Before Rekit ^	Cv	Nozzle Service Kit
NC203-P30	1.43 (0.65)	206 (3000)	312.5 (4532)	-40 (40)	185 (85)	100,000	2.2	NC203-SK1
NC203-P36	1.43 (0.65)	248 (3600)	312.5 (4532)	-40 (40)	185 (85)	100,000	2.2	NC203-SK1

* System pressure that the product is designed for.

** Maximum Allowable Working Pressure, the maximum static pressure that can be applied without affecting the operation of the product.

^ It is recommended that the nozzle is re-kitted on or before the maximum number of allowable cycles.



100 Series Bus/Truck Nozzle

Applications

Refuelling nozzle for high flow CNG and Bio-Gas applications such bus, truck & trailer filling.



NC104-200 - Bus/Truck Nozzle

Features & Benefits

Hardened segment connection style increases gripping surface area. This significantly reduces wear on male coupling.

Stainless steel construction gives corrosion and wear resistance.

Easily serviceable onsite with Oasis Service Kit.

Green indicator shows coupled position.



Example of Receptacle DN12

Product Information

All products are manufactured under ISO 9001 accredited standards.

Class A tested to 100,000 + cycles.

Designed to Fit DN12 (C200) Receptacles as per ISO 14469-2 Standard.

Nozzle designed & Tested to ISO 14469-2 (2007) Standard.

Complies to PED 2014/68/EU.

Video servicing instructions available online at oasisngv.com/resources.

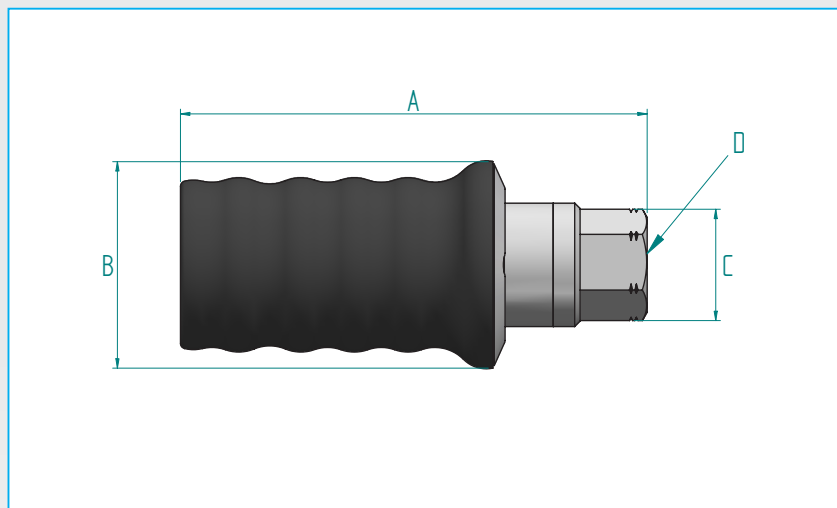
Materials

Item	Part	Material
1	Body	316 Stainless Steel
2	Coupler Nose	316 Stainless Steel
3	Sleeve	6061 Aluminium
4	Poppet	316 Stainless Steel
5	O-rings	Nitrile
6	End Cap	316 Stainless Steel
7	Segments	420 Stainless Steel
8	Ball Bearings	420 Stainless Steel



100 Series Bus/Truck Nozzle

Dimensions



Dimensions (mm)

Part Code	Size	A	B	C (A/F)	D (Inlet Port)
NC104-200	DN12	174	77	36	7/8 -14 SAE

Product Specification

Part Code	Mass lb (kg)	Service Pressure bar (psi) *	MAWP bar (psi)**	Min. Temp. °F (°C)	Max. Temp. °F (°C)	Cycles Before Rekit ^	Cv	Nozzle Service Kit ^^
NC104-200	4 (1.8)	248 (3600)	312.5 (4532)	-40 (40)	185 (85)	100,000	6.1	NC104-SK200-1

* System pressure that the product is designed for.

** Maximum Allowable Working Pressure, the maximum pressure at which the product can constantly operate at.

^ It is recommended that the nozzle is re-kitted on or before the maximum number of allowable cycles.

^^ NC104-SK200 service kit for NC104-200 nozzle only. For NC104-C200 use NC104-SK service kit only.



FV103 Light Duty Fill Valve & Transit Nozzle

Application

CNG and Bio-Gas dispenser for filling vehicles with CNG and Bio-Gas as well as trailer load/unload systems.



FV103-9-10B-0 - Light Duty Fill Valve



FV103-9-11B-G - P36 Light Duty Transit Nozzle

Materials

Item	Description	Material
1	90° Valve Body	6061 Aluminium
2	Valve Caps	304/316 Stainless Steel
3	Seats	Delrin
4	Balls	316 Stainless Steel
5	Stems	316 Stainless Steel
6	Thrusts	Delrin
7	Glands	Delrin

Item	Description	Material
8	Stem O-rings	Nitrile
9	Stem Backup	Nitrile
10	Cap & Seat O-rings	Nitrile
11	Spring Washer	304 Stainless Steel
12	Stem Nuts	304 Stainless Steel
13	Valve Handle	304 Stainless Steel
14	NGV1 Nozzle	See NC203 Spec Sheet

Product Information

All products are manufactured under ISO 9001 accredited standards.

The FULL FLOW design means more gas is dispensed faster to the vehicle, maximising the number of vehicle fills per day and minimising wasted gas.

Nozzle tested to ANSI/CGA NGV1 Standard.

Complies to PED 2014/68/EU.

CRN (0C23503.5C and 0A23666.5C) approved for all provinces.

Instructions available online at www.oasisngv.com/resources.

Features & Benefits

The Oasis Light Duty Transit Nozzle redefines the flow rate standard for NGV gas delivery.

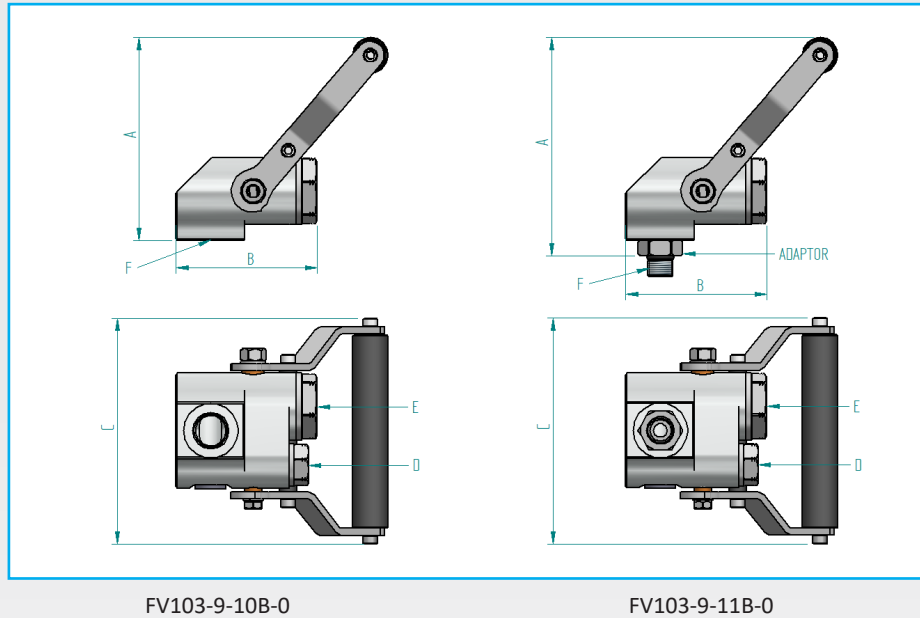
Intuitive fill valve operation.

All Oasis Light Duty Transit Nozzles are easily serviced in the field using Oasis's product specific service kits.

Adaptors are available to extend the position of the nozzle.



FV103 Light Duty Fill Valve & Transit Nozzle



FV103-9-10B-0

FV103-9-11B-0

Dimensions Inch (mm)

Part Code	Size	A	B	C	D (Vent)	E (Inlet)	F (Outlet) / Adaptor
FV103-9-10B-0	3/8"	4.52 (115)	3.15 (80)	5.04 (128)	7/16 - 20 SAE Female	9/16 - 18 SAE Female	3/4 - 16 SAE Female / None
FV103-9-11B-0	3/8"	4.85 (123)	3.15 (80)	5.04 (128)	7/16 - 20 SAE Female	9/16 - 18 SAE Female	9/16 - 18 SAE Male / Adaptor
FV103-9-1EB-0	3/8"	6.47 (164)	3.15 (80)	5.04 (128)	7/16 - 20 SAE Female	9/16 - 18 SAE Female	9/16 - 18 SAE Male / 50mm Extension
FV103-9-1FB-0	3/8"	8.44 (214)	3.15 (80)	5.04 (128)	7/16 - 20 SAE Female	9/16 - 18 SAE Female	9/16 - 18 SAE Male / 100mm Extension

Product Specification

Part Code	Mass lb (kg)	Min. Operating Pressure psi (bar) *	MAWP psi (bar) **	Min. Temp. °F (°C)	Max. Temp. °F (°C)	Stem Open Torque ft-lb (Nm)	Cycles Before Rekit [^]	Cv ⁺	Light Duty Fill Valve Service Kit
FV103-9-10B-0	1.70 (0.77)	7 (0.5)	4532 (312.5)	-40 (-40)	185 (85)	3.7 (5)	100,000	3.3	FV103-SKLD
FV103-9-11B-0	1.79 (0.81)	7 (0.5)	4532 (312.5)	-40 (-40)	185 (85)	3.7 (5)	100,000	3.3	FV103-SKLD
FV103-9-1EB-0	2.03 (0.92)	7 (0.5)	4532 (312.5)	-40 (-40)	185 (85)	3.7 (5)	100,000	3.3	FV103-SKLD
FV103-9-1FB-0	2.36 (1.07)	7 (0.5)	4532 (312.5)	-40 (-40)	185 (85)	3.7 (5)	100,000	3.3	FV103-SKLD

* Minimum system pressure the product will hold constant bubble tight seal.

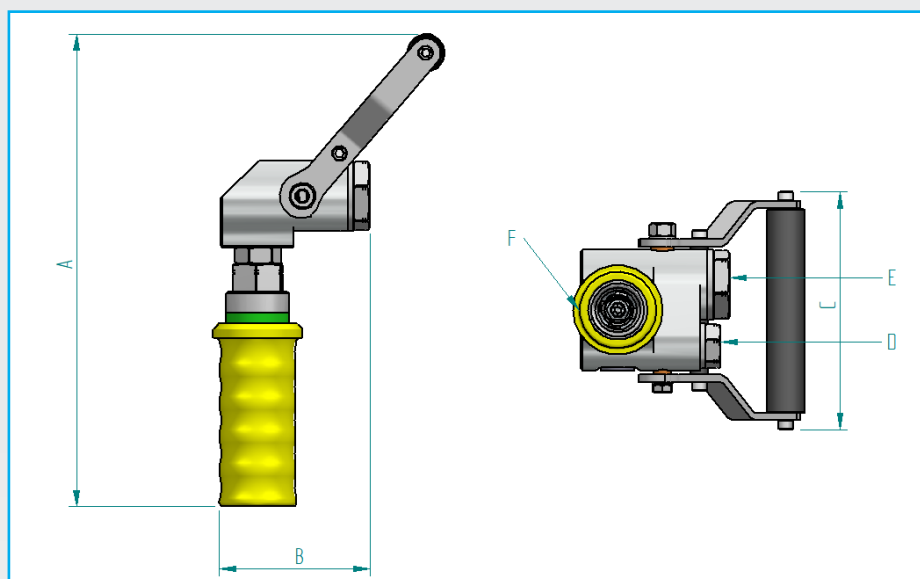
** Maximum Allowable Working Pressure, maximum pressure at which the product can continuously operate.

[^] It is recommended that the fill valve is re-kitted on or before the maximum number of allowable cycles.

⁺ Tested in accordance with ANSI/ISA 75.02.01:2008.



FV103 Light Duty Fill Valve & Transit Nozzle



Dimensions Inch (mm)

Part Code	Size	A	B	C	D (Vent)	E (Inlet)	F (Outlet)	G (Adaptor length)
FV103-9-11B-F	3/8"	9.70 (246)	3.15 (80)	5.04 (128)	7/16 - 20 SAE Female	9/16 - 18 SAE Female	NGV1 P30	0.35 (9)
FV103-9-11B-G	3/8"	9.97 (253)	3.15 (80)	5.04 (128)	7/16 - 20 SAE Female	9/16 - 18 SAE Female	NGV1 P36	0.35 (9)
FV103-9-1EB-F	3/8"	11.31 (287)	3.15 (80)	5.04 (128)	7/16 - 20 SAE Female	9/16 - 18 SAE Female	NGV1 P30	1.97 (50)
FV103-9-1EB-G	3/8"	11.59 (294)	3.15 (80)	5.04 (128)	7/16 - 20 SAE Female	9/16 - 18 SAE Female	NGV1 P36	1.97 (50)
FV103-9-1FB-F	3/8"	13.28 (337)	3.15 (80)	5.04 (128)	7/16 - 20 SAE Female	9/16 - 18 SAE Female	NGV1 P30	3.94 (100)
FV103-9-1FB-G	3/8"	13.56 (344)	3.15 (80)	5.04 (128)	7/16 - 20 SAE Female	9/16 - 18 SAE Female	NGV1 P36	3.94 (100)

Product Specification

Part Code	Mass lb (kg)	Service Pressure psi (bar) *	MAWP psi (bar) **	Min. Temp. °F (°C)	Max. Temp. °F (°C)	Stem Open Torque ft-lb (Nm)	Cycles Before Rekit [^]	Cv ⁺	Light Duty Transit Nozzle Service Kits
FV103-9-11B-F	3.24 (1.47)	3000 (207)	4532 (312.5)	-40 (-40)	185 (85)	3.7 (5)	100,000	1.6	FV103-SKLD / NC203-SK1
FV103-9-11B-G	3.24 (1.47)	3600 (248)	4532 (312.5)	-40 (-40)	185 (85)	3.7 (5)	100,000	1.6	FV103-SKLD / NC203-SK1
FV103-9-1EB-F	3.48 (1.58)	3000 (207)	4532 (312.5)	-40 (-40)	185 (85)	3.7 (5)	100,000	1.6	FV103-SKLD / NC203-SK1
FV103-9-1EB-G	3.48 (1.58)	3600 (248)	4532 (312.5)	-40 (-40)	185 (85)	3.7 (5)	100,000	1.6	FV103-SKLD / NC203-SK1
FV103-9-1FB-F	3.79 (1.72)	3000 (207)	4532 (312.5)	-40 (-40)	185 (85)	3.7 (5)	100,000	1.6	FV103-SKLD / NC203-SK1
FV103-9-1FB-G	3.79 (1.72)	3600 (248)	4532 (312.5)	-40 (-40)	185 (85)	3.7 (5)	100,000	1.6	FV103-SKLD / NC203-SK1

* System pressure that the product is designed for.

** Maximum pressure at which the product can constantly operate at.

[^] It is recommended that the fill valve is re-kitted on or before the maximum number of allowable cycles.

⁺ Experimentally tested in accordance with ANSI/ISA 75.02.01:2008.



FV103 Light Duty Fill Valve & Transit Nozzle

Fill valve Service Kits

All wearing components are available for replacement with original Oasis service kits.

FV103-SKLD

Fill valve service kit for sealing components, recommended to be replaced on or before the maximum cycles before re-kit as identified in product specifications.



FV103-70

Fill valve handle replacement kit, to be replaced as required.





100 Series 45° Fill Valve With NGV1 Nozzle

Applications

CNG and Bio-Gas dispenser for car, bus and truck filling & CNG Bio-Gas trailer load/unload systems.



FV103-4-01A-G - 45° Fill Valve & P36 NGV1 Nozzle

Features & Benefits

The Oasis full flow fill valve & fueling nozzle redefines the flow rate standard for NGV gas delivery.

Intuitive fill valve and nozzle operation.

All Oasis fill valves and nozzles are easily serviced in the field using Oasis's product specific service kits.

Adaptors are available to extend the position of the nozzle.

Product Information

All products are manufactured under ISO 9001 accredited standards.

With the HIGH FLOW design, this means more gas is dispensed faster to the vehicle, maximizing the number of vehicle fills per day and minimizing wasted gas.

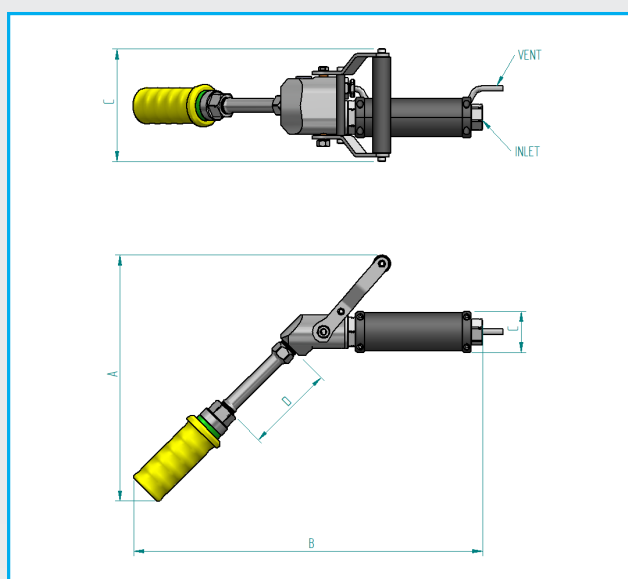
Nozzle tested to ANSI/CGA NGV1 standard.

Complies to PED 2014/68/AU.

Video servicing instructions available online at oasisngv.com/resources.



100 Series 45° Fill Valve With NGV1 Nozzle



Dimensions Inch (mm)

Part Code	Size	A	B	C	D (Adaptor length)	E	Inlet Port	Vent Port	Outlet
FV103-4-01A-F	3/8"	8.2 (209)	12.8 (324)	1.8 (46.6)	0.35 (9)	5.0 (128)	3/4-16 SAE Female	1/4" Tube	NGV1 P30
FV103-4-01A-G	3/8"	8.4 (214)	13.0 (329)	1.8 (46.6)	0.35 (9)	5.0 (128)	3/4-16 SAE Female	1/4" Tube	NGV1 P36
FV103-4-0EA-F	3/8"	9.4 (238)	13.9 (353)	1.8 (46.6)	1.97 (50)	5.0 (128)	3/4-16 SAE Female	1/4" Tube	NGV1 P30
FV103-4-0EA-G	3/8"	9.6 (243)	14.1 (358)	1.8 (46.6)	1.97 (50)	5.0 (128)	3/4-16 SAE Female	1/4" Tube	NGV1 P36
FV103-4-0FA-F	3/8"	10.8 (274)	15.3 (388)	1.8 (46.6)	3.94 (100)	5.0 (128)	3/4-16 SAE Female	1/4" Tube	NGV1 P30
FV103-4-0FA-G	3/8"	11.0 (279)	15.5 (393)	1.8 (46.6)	3.94 (100)	5.0 (128)	3/4-16 SAE Female	1/4" Tube	NGV1 P36

Product Specification

Part Code	Mass lb(kg)	Service Pressure psi (bar)*	MAWP psi (bar)**	Min. Temp. °F (°C)	Max. Temp. °F (°C)	Stem Open Torque ft-lb (Nm)	Cycles Before Rekit [†]	Cv [‡]	Nozzle Service Kit	Fill Valve Service Kit
FV103-4-01A-F	4.4 (2)	3000 (207)	4532 (312.5)	-40 (-40)	185 (85)	3.7 (5)	100,000	1.8	NC203-SK1	FV103-SKDN
FV103-4-01A-G	4.4 (2)	3600 (248)	4532 (312.5)	-40 (-40)	185 (85)	3.7 (5)	100,000	1.8	NC203-SK1	FV103-SKDN
FV103-4-0EA-F	4.6 (2.1)	3000 (207)	4532 (312.5)	-40 (-40)	185 (85)	3.7 (5)	100,000	1.8	NC203-SK1	FV103-SKDN
FV103-4-0EA-G	4.6 (2.1)	3600 (248)	4532 (312.5)	-40 (-40)	185 (85)	3.7 (5)	100,000	1.8	NC203-SK1	FV103-SKDN
FV103-4-0FA-F	4.8 (2.2)	3000 (207)	4532 (312.5)	-40 (-40)	185 (85)	3.7 (5)	100,000	1.8	NC203-SK1	FV103-SKDN
FV103-4-0FA-G	4.8 (2.2)	3600 (248)	4532 (312.5)	-40 (-40)	185 (85)	3.7 (5)	100,000	1.8	NC203-SK1	FV103-SKDN

* System pressure that the product is designed for.

** Maximum Allowable Working Pressure, the maximum pressure at which the product can constantly operate at.

† It is recommended that the nozzle and fill valve are re-kitted on or before the maximum number of allowable cycles.

‡ Tested in accordance with ANSI/ISA 75.02.01:2008

We reserve the right to modify product specifications without prior notice.



100 Series 45° Fill Valve With NGV1 Nozzle

Service Kits

All wearing components are available for replacement with original Oasis service kits.

FV103-SKDN

Fill valve service kit for sealing components, recommended to be replaced on or before the maximum cycles before re-kit as identified in product specifications.



NC203-SK1

NGV1 P30/P36 nozzle service kit, recommended to be replaced on or before the maximum cycles before re-kit as identified in product specifications.



FV103-17

Fill valve 2 piece handle sleeve, to be replaced as required.



FV103-70

Fill valve handle replacement kit, to be replaced as required.





100 Series 180° Fill Valve With NGV1 Nozzle

Applications

CNG and Bio-Gas dispenser for car, bus and truck filling & CNG and Bio-Gas trailer load/unload systems.



FV103-0-AD6-G - 180° Fill Valve & P36 NGV1 Nozzle

Features & Benefits

The Oasis full flow fill valve & fueling nozzle redefines the flow rate standard for NGV gas delivery.

Intuitive fill valve and nozzle operation.

All Oasis fill valves and nozzles are easily serviced in the field using Oasis's product specific service kits.

Adaptors are available to extend the position of the nozzle.

Product Information

All products are manufactured under ISO 9001 accredited standards.

The FULL FLOW design means more gas is dispensed faster to the vehicle, maximising the number of vehicle fills per day and minimising wasted gas.

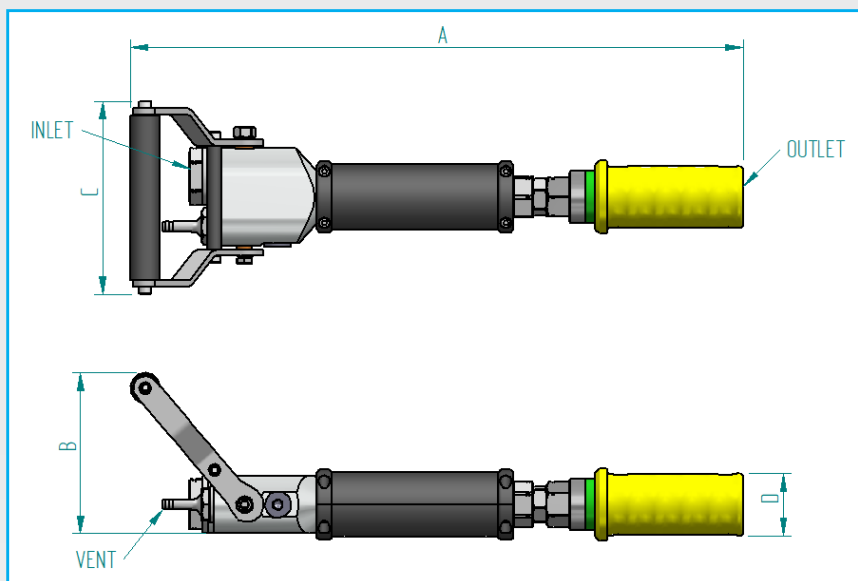
Nozzle tested to ANSI/CGA NGV1 standard.

Complies to PED 2014/68/EU.

Video servicing instructions available online at oasisngv.com/resources.



100 Series 180° Fill Valve With NGV1 Nozzle



Dimensions Inch (mm)

Part Code	Size	A	B	C	D	Inlet Port	Vent Port	Outlet
FV103-0-AD6-F	3/8"	15.7 (398)	4.2 (106)	5 (128)	1.6 (41)	9/16-18 SAE Female	1/4" Male Tube Stub	NGV1 P30
FV103-0-AD6-G	3/8"	16.0 (405)	4.2 (106)	5 (128)	1.6 (41)	9/16-18 SAE Female	1/4" Male Tube Stub	NGV1 P36

Product Specification

Part Code	Mass lb (kg)	Service Pressure psi (bar)*	MAWP psi (bar)**	Min. Temp. °F (°C)	Max. Temp. °F (°C)	Stem Open Torque ft-lb (Nm)	Cycles Before Rekit [^]	Cv ⁺	Nozzle Service Kit	Fill Valve Service Kit
FV103-0-AD6-F	4.4 (2)	3000 (207)	4532 (312.5)	-40 (-40)	185 (85)	3.7 (5)	100,000	1.9	NC203-SK1	FV103-SKDN
FV103-0-AD6-G	4.4 (2)	3600 (248)	4532 (312.5)	-40 (-40)	185 (85)	3.7 (5)	100,000	1.9	NC203-SK1	FV103-SKDN

* System pressure that the product is designed for.

** Maximum Allowable Working Pressure, maximum pressure at which the product can continuously operate.

[^] It is recommended that the nozzle and fill valve are re-kitted on or before the maximum number of allowable cycles.

⁺ Tested in accordance with ANSI/ISA 75.02.01:2008



100 Series 180° Fill Valve With NGV1 Nozzle

Service Kits

All wearing components are available for replacement with original Oasis service kits.

FV103-SKDN

Fill valve service kit for sealing components, recommended to be replaced on or before the maximum cycles before re-kit as identified in product specifications.



NC203-SK1

NGV1 P30/P36 nozzle service kit, recommended to be replaced on or before the maximum cycles before re-kit as identified in product specifications.



FV103-17

Fill valve 2 piece handle sleeve, to be replaced as required.



FV103-70

Fill valve handle replacement kit, to be replaced as required.





100 Series 45° Fill Valve With Bus and Truck Nozzle

Application

CNG and Bio-Gas Dispenser for Bus and Truck filling



FV103-4-02A-C 45° Fill Valve & NC104-200 Nozzle

Features & Benefits

The Oasis Full Flow Fill Valve with Bus & Truck Fuelling Nozzle redefines the flow rate standard for NGV gas delivery.

Hardened segment connection nozzle increases gripping surface area and reduces wear in receptors.

Green indicator shows nozzle in coupled position.

Both Fill Valve & Nozzle serviceable onsite with Oasis Service Kits.

The FULL FLOW design means more gas is dispensed faster to the vehicle, maximising the number of vehicle fills per day and minimising wasted gas.

Product Information

All products are manufactured under ISO 9001 accredited standards.

Bus & truck fuelling nozzle designed and tested to ISO 14469-2 Standard.

Complies to PED 2014/68/EU.

Nozzle to fit DN12 (C200) receptacles as per ISO 14469-2 Standard.

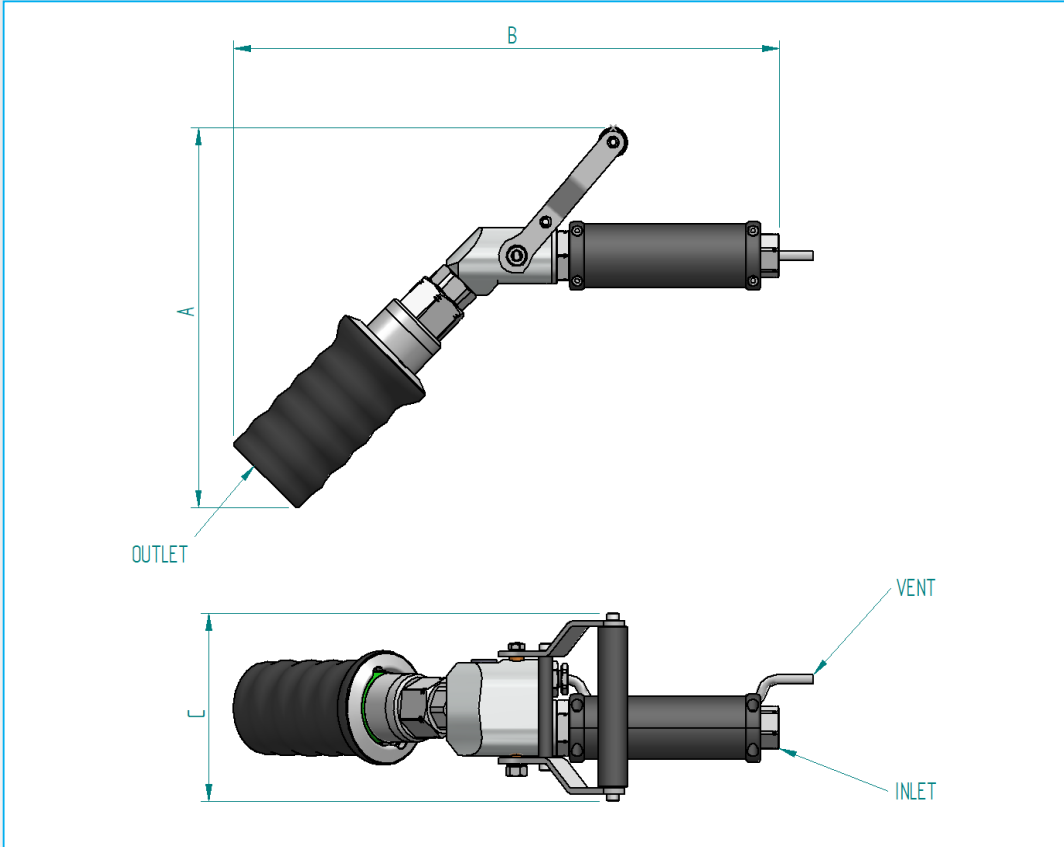
Video servicing instructions available online at oasisngv.com/resources



Example of Receptacle DN12



100 Series 45° Fill Valve With Bus and Truck Nozzle



Dimensions Inch (mm)

Part Code	Size	A	B	C	Inlet Port	Vent Line	Outlet	Nozzle
FV103-4-02A-C	3/8"	10.2 (258)	14.6 (372)	5 (128)	3/4 - 16 SAE	1/4" Tube	P30HD#	NC104-200^^

Product Specification

Part Code	Mass lb (kg)	Min. Operating Pressure psi (bar)	MAWP psi (bar) **	Min. Temp. °F(°C)	Max. Temp. °F(°C)	Stem Open Torque ft-lb (N-m)	Cycles Before Rekit^	Cv +	Nozzle Service Kit^^	Fill Valve Service Kit
FV103-4-02A-C	7.2 (3.3)	7 (0.5)	4532 (312.5)	-40 (-40)	185 (85)	3.7 (5)	100,000	2.6	NC104-SK200-1	FV103-SKDN

Also connects to P36HD receptacles

** Maximum Allowable Working Pressure, maximum pressure at which the product can continuously operate.

^ It is recommended that the nozzle is re-kitted on or before the allowable cycles. This can be undertaken easily on site.

^^ NC104-SK200-1 service kit for NC104-200 nozzle only. For NC104-C200 use NC104-SK service kit only.

+ Tested in accordance with ANSI/ISA 75.02.01:2008

We reserve the right to modify product specifications without prior notice.



100 Series 45° Fill Valve With Bus and Truck Nozzle

Service Kits

All wearing components are available for replacement with original Oasis service kits

FV103-SKDN

Fill valve service kit for sealing components, recommended to be replaced on or before the maximum cycles before re-kit as identified in product specifications.



NC104-SK200-1

Bus and truck nozzle service kit, recommended to be replaced on or before the maximum cycles before re-kit as identified in product specifications



NC104-SK200-1 service kit for NC104-200 nozzle only.

FV103-17

Fill valve 2 piece handle sleeve, to be replaced as required



FV103-70

Fill valve handle replacement kit, to be replaced as required





100 Series 180° Fill Valve With Bus and Truck Nozzle

Application

CNG and Bio-Gas Dispenser for Bus and Truck filling



FV103-0-AC6-C 180° Fill Valve & NC104-200 Nozzle

Features & Benefits

The Oasis Full Flow Fill Valve with Bus & Truck Fuelling Nozzle redefines the flow rate standard for NGV gas delivery.

Hardened segment connection nozzle increases gripping surface area and reduces wear in receptors.

Green indicator shows nozzle in coupled position.

Both Fill Valve & Nozzle serviceable onsite with Oasis Service Kits.

The FULL FLOW design means more gas is dispensed faster to the vehicle, maximising the number of vehicle fills per day and minimising wasted gas.

Product Information

All products are manufactured under ISO 9001 accredited standards.

Bus & truck fuelling nozzle designed and tested to ISO 14469-2 Standard.

Complies to PED 2014/68/EU.

Nozzle to fit DN12 (C200) receptacles as per ISO 14469-2 Standard.

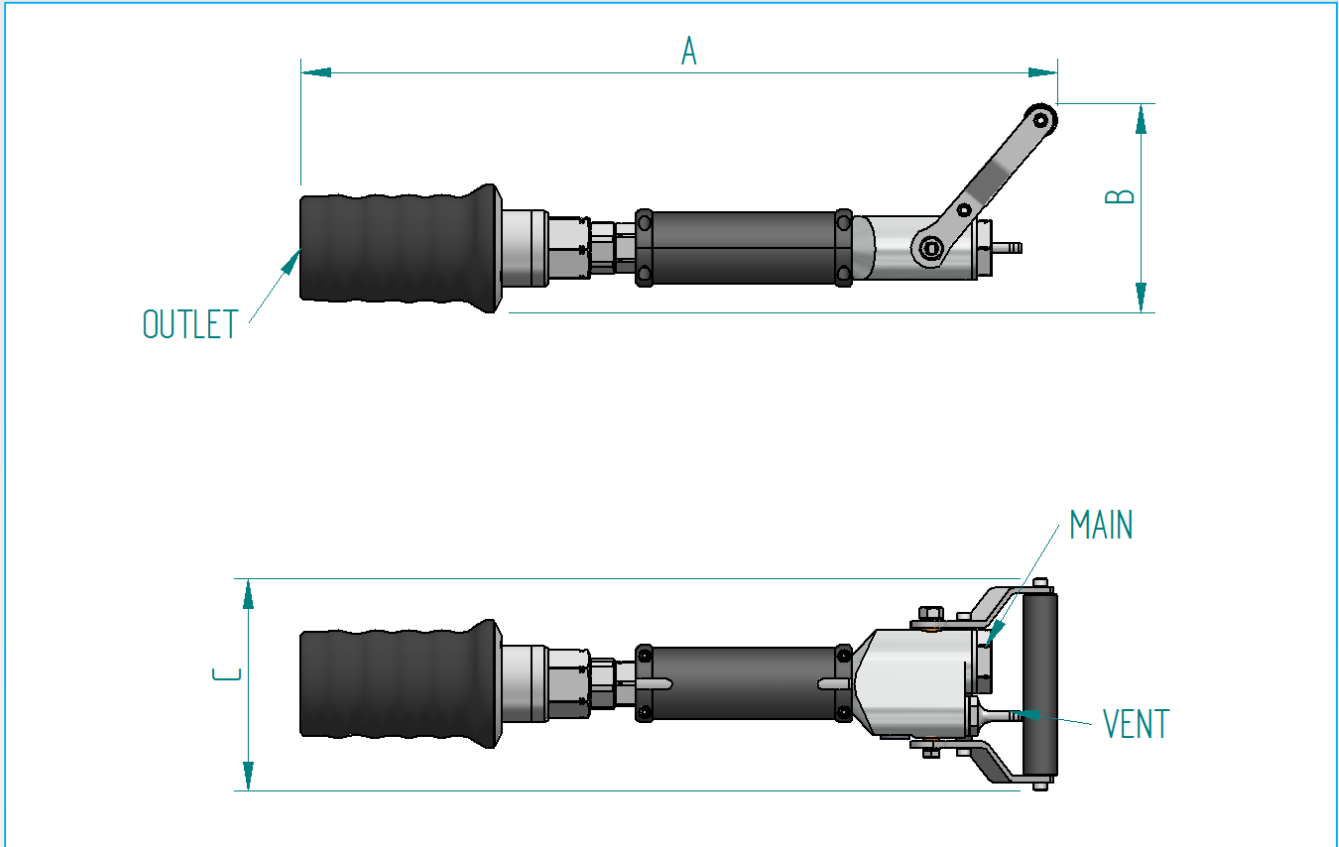
Video servicing instructions available online at oasisngv.com/resources



Example of Receptacle DN12



100 Series 180° Fill Valve With Bus and Truck Nozzle



Dimensions Inch (mm)

Part Code	Size	A	B	C	Inlet Port	Vent Line	Outlet	Nozzle
FV103-0-AC6-C	3/8"	17.9 (455)	5 (126)	5 (128)	3/4 - 16 SAE	1/4" Male Tube Stub	P30HD#	NC104-200^^

Product Specification

Part Code	Mass lb (kg)	Min. Operating Pressure psi (bar)	MAWP psi (bar)**	Min. Temp. °F (°C)	Max. Temp. °F (°C)	Stem Open Torque ft-lb (Nm)	Cycles Before Rekit ^	Cv ⁺	Nozzle Service Kit ^^	Fill Valve Service Kit
FV103-0-AC6-C	7.3 (3.3)	7 (0.5)	4532 (312.5)	-40 (-40)	185 (85)	3.7 (5)	100,000	2.7	NC104-SK200-1	FV103-SKDN

Also connects to P36HD receptacles.

** Maximum Allowable Working Pressure, the maximum pressure at which the product can constantly operate at.

^ It is recommended that the nozzle is re-kitted on or before the allowable cycles. This can be undertaken easily on site.

^^ NC104-SK200-1 service kit for NC104-200 nozzle only. For NC104-C200 use NC104-SK service kit only.

+ Tested in accordance with ANSI/ISA 75.02.01:2008

We reserve the right to modify product specifications without prior notice.



100 Series 180° Fill Valve With Bus and Truck Nozzle

Service Kits

All wearing components are available for replacement with original Oasis service kits

FV103-SKDN

Fill valve service kit for sealing components, recommended to be replaced on or before the maximum cycles before re-kit as identified in product specifications.



NC104-SK200-1

Bus and truck nozzle service kit, recommended to be replaced on or before the maximum cycles before re-kit as identified in product specifications



NC104-SK200-1 service kit for NC104-200 nozzle only.

FV103-17

Fill valve 2 piece handle sleeve, to be replaced as required



FV103-70

Fill valve handle replacement kit, to be replaced as required

