



# 100 Series Cylinder Valve TH104 - NGV3.1:2014

## Applications

Suitable for CNG, Hydrogen, Helium, Bio-Gas and Air.

Bulk gas trailers (cylinders or spheres).

Bulk gas cylinder storage stacks.

Gas vehicle cylinder stacks.

Fast fill cylinder stacks.

## Product Information

All products are manufactured to ISO 9001 standards.

SAE threads conform to SAE J1926-1.

Product tested to ANSI NGV 3.1:2014 - CSA 12.3-2014.

Complies to PED 2014/68/EU.

Quarter turn handle.

Can be manufactured to your specifications, contact us for details.

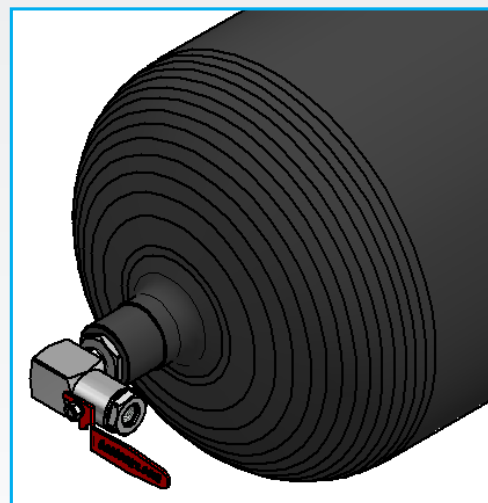
Other end cap and cylinder fitting options available.

Includes a live PRD port, PRD not included.

More product information available online at [oasisngv.com/resources](http://oasisngv.com/resources).



TH104 - 1/2" Cylinder Valve



Fitted Cylinder Valve

## Materials

Part	Material
Body/Cap	304 Stainless steel
Handle	304 Stainless Steel
Ball and Stem	316 Stainless steel
O-rings	Nitrile
Seats and Glands	Delrin

## Product Specification

Part Code	Size	Mass lb (kg)	Min. Operating Pressure psi (bar) *	Max. Operating Pressure bar (psi) **	Min. Temp. °F (°C)	Max. Temp. °F (°C)	Service ^	Stem Open Torque ft-lb (Nm) ^^	Cv	Service Kit #
TH104-42B1210	1/2"	2.4 (1.1)	90 (6.2)	410 (6000)	-40 (-40)	185 (85)	5 Years	3.3 (4.5)	6.7	TH104-SK2

\* Minimum pressure that the product will hold constant bubble tight seal.

\*\* Maximum pressure at which the product can continuously operate at.

^ Although unnecessary, it is recommended best practice to re-kit the valves during routine cylinder inspection which is typically every 5 years.

^^ Opening torque at 6,000 psi.

# Use TH104-SK2 for TH104-42B1210 only. For obsolete TH104 valves use TH104-SK1 service kit, if unsure please contact Oasis.



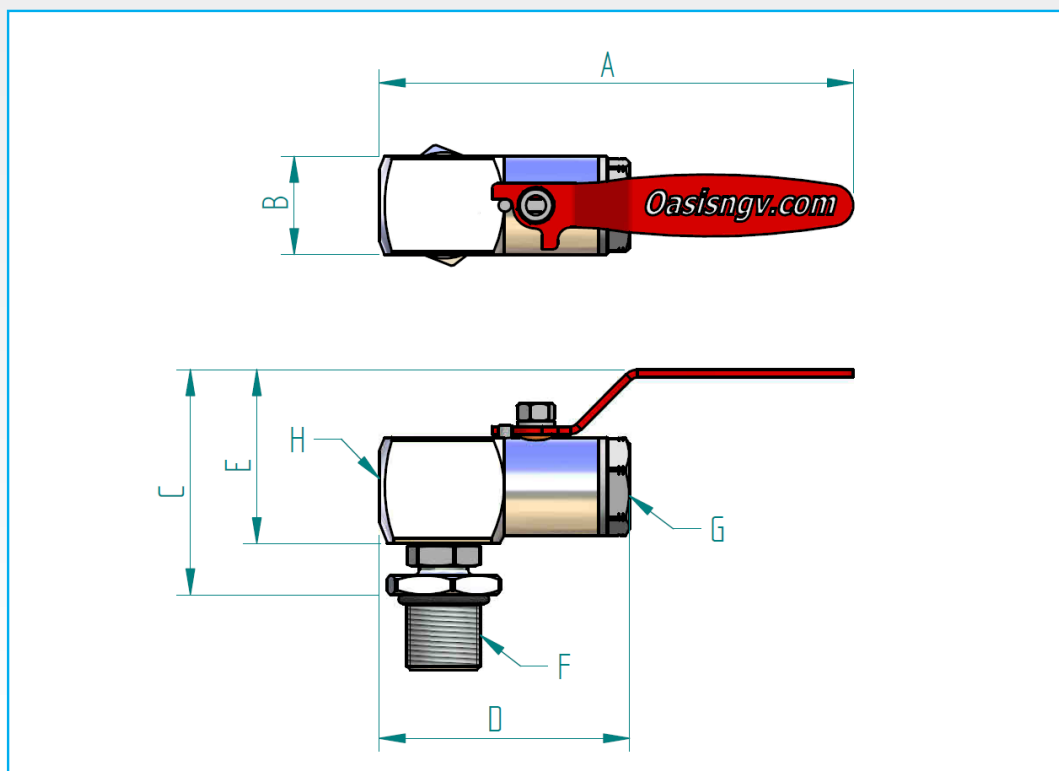
# 100 Series Cylinder Valve TH104 - NGV3.1:2014

## Dimensions: Imperial (Metric mm)

Part Code	A	B	C	D	E
TH104-42B1210-1000	7.24" (184)	1.49" (38)	3.43" (87)	3.86" (97)	2.64" (67)

Part Code	F (CYLINDER) MALE THREAD	G (END CAP) FEMALE THREAD	H	PRD TYPE
TH104-42B1210-1000	1 1/8-12 UNF	3/4-16 SAE	PRD PORT 9/16-18 SAE FEMALE THREAD	CUSTOMER SUPPLIED REMOTE PRD

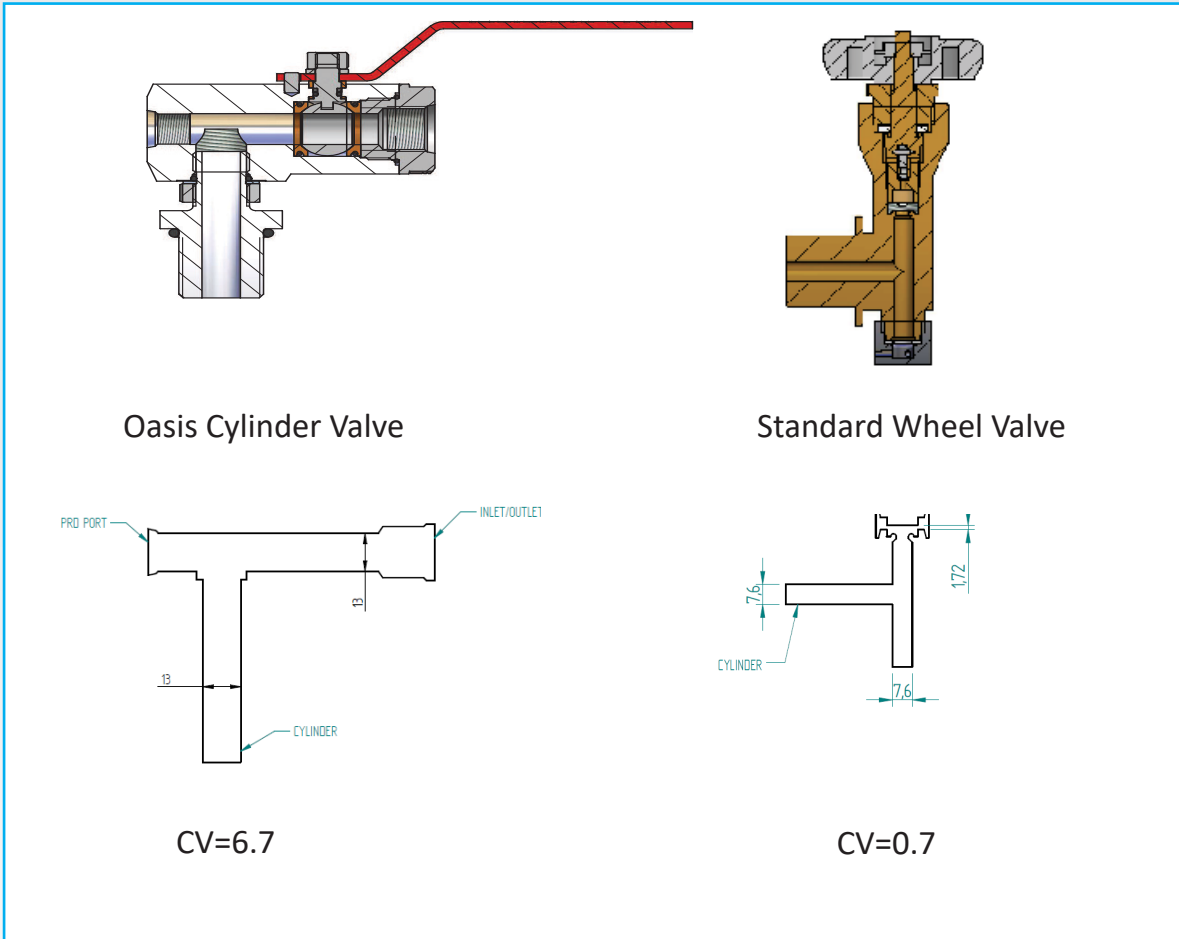
TH104-42B1210-1000





# 100 Series Cylinder Valve TH104 - NGV3.1:2014

## Oasis Cylinder Valve vs Standard Wheel Valve Flow Area Comparison





# 100 Series Cylinder Valve With Commissioning Port

## Applications

Suitable for CNG, Hydrogen, Helium, Bio-Gas and Air

Bulk gas trailers (cylinders or spheres)

Bulk gas cylinder storage stacks

Gas vehicle cylinder stacks

Fast fill cylinder stacks

Truck fuel systems

## Product Information

All products are manufactured to ISO 9001:2015 standards.

Product tested to ANSI NGV 3.1:2014 - CSA 12.3-2014.

Complies to PED 2014/68/EU.

Quarter turn handle.

SAE threads conform to SAE J1926-1.

Commissioning Plug allows the cylinder to be isolated for testing.  
Part # XTH104-73.

Can be manufactured to your specifications, contact us for details.

Other end cap and cylinder fitting options available.

Includes a live PRD port, PRD not included.

More product information available online at [oasisngv.com/resources](http://oasisngv.com/resources).



TH104 - 1/2" Cylinder Valve With Commissioning Port

## Materials

Part	Material
Body/Cap	304 Stainless steel
Handle	304 Stainless Steel
Ball and Stem	316 Stainless steel
O-rings	Nitrile
Seats and Glands	Delrin



Fitted Cylinder Valve

## Product Specification

Part Code #	Size	Mass lb (kg)	Min. Operating Pressure psi (bar) *	Max. Operating Pressure bar (psi) **	Min. Temp. °F (°C)	Max. Temp. °F (°C)	Service ^	Stem Open Torque ft-lb (Nm) ^^	Cv	Service Kit
TH104-42D1510-1000	1/2"	2.4 (1.1)	90 (6.2)	410 (6000)	-40 (-40)	185 (85)	5 Years	3.3 (4.5)	6.0	TH104-SK2

\* Minimum pressure that the product will hold constant bubble tight seal.

\*\* Maximum pressure at which the product can continuously operate at.

^ Although unnecessary, it is recommended best practice to re-kit the valves during routine cylinder inspection which is typically every 5 years.

^^ Opening torque at 6,000 psi

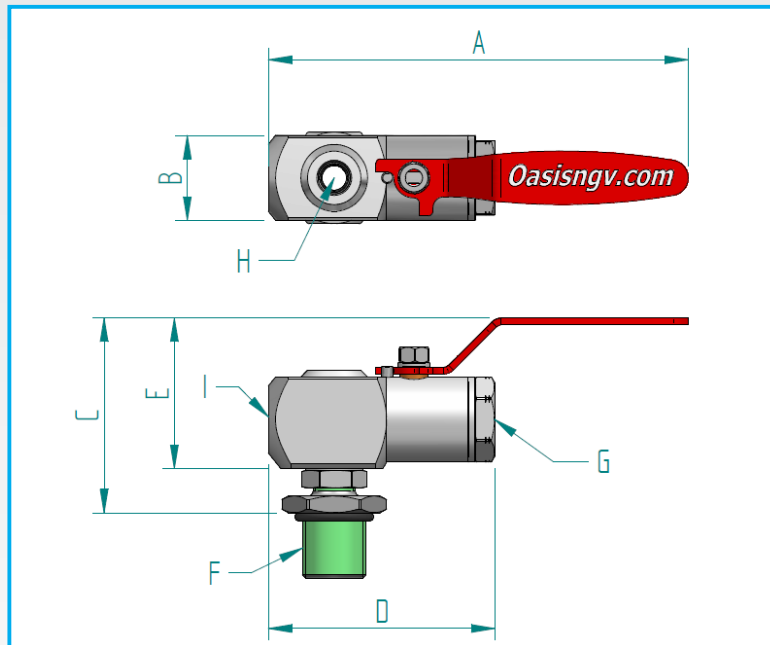


# 100 Series Cylinder Valve With Commissioning Port

## Dimensions:

Part Code	A	B	C	D	E
TH104-42D1510-1000	7.48" (190mm)	1.49" (38mm)	2.99" (76mm)	4.02" (102mm)	2.20" (56mm)

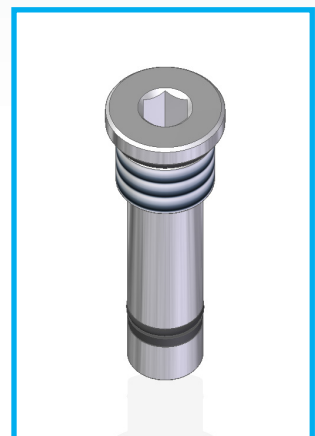
Part Code	F (CYLINDER) MALE THREAD	G (END CAP) FEMALE THREAD	H (COMMISSIONING PORT) FEMALE THREAD	I (PRD/LIVE PORT) FEMALE THREAD	PRD TYPE
TH104-42D1510-1000	1 1/8-12 UNF	3/4-16 SAE	9/16-18 SAE	3/4-16 SAE	CUSTOMER SUPPLIED REMOTE PRD



## Accessories:

Part Code	SAE Thread Size	Mass Oz (g)	Stainless Steel Material	Hex Size	Min. Operating Pressure psi (bar) *	Max. Operating Pressure bar (psi) **	Min. Temp. °F (°C)	Max. Temp. °F (°C)
TH104-73	3/8"	1.3 (36)	316	1/4"	90 (6.2)	410 (6000)	-40 (-40)	185 (85)

- Can powder coat plug head on your request to your custom safety color.
  - \* Minimum pressure that the product will hold constant bubble tight seal.
  - \*\* Maximum pressure at which the product can continuously operate at.
- O-Rings that are supplied with the TH104-73:
- Imperial 011 Nitrile 90 x1
  - Imperial 011 Back-up Nitrile 90 x1
  - Imperial 906 Nitrile 90 x1

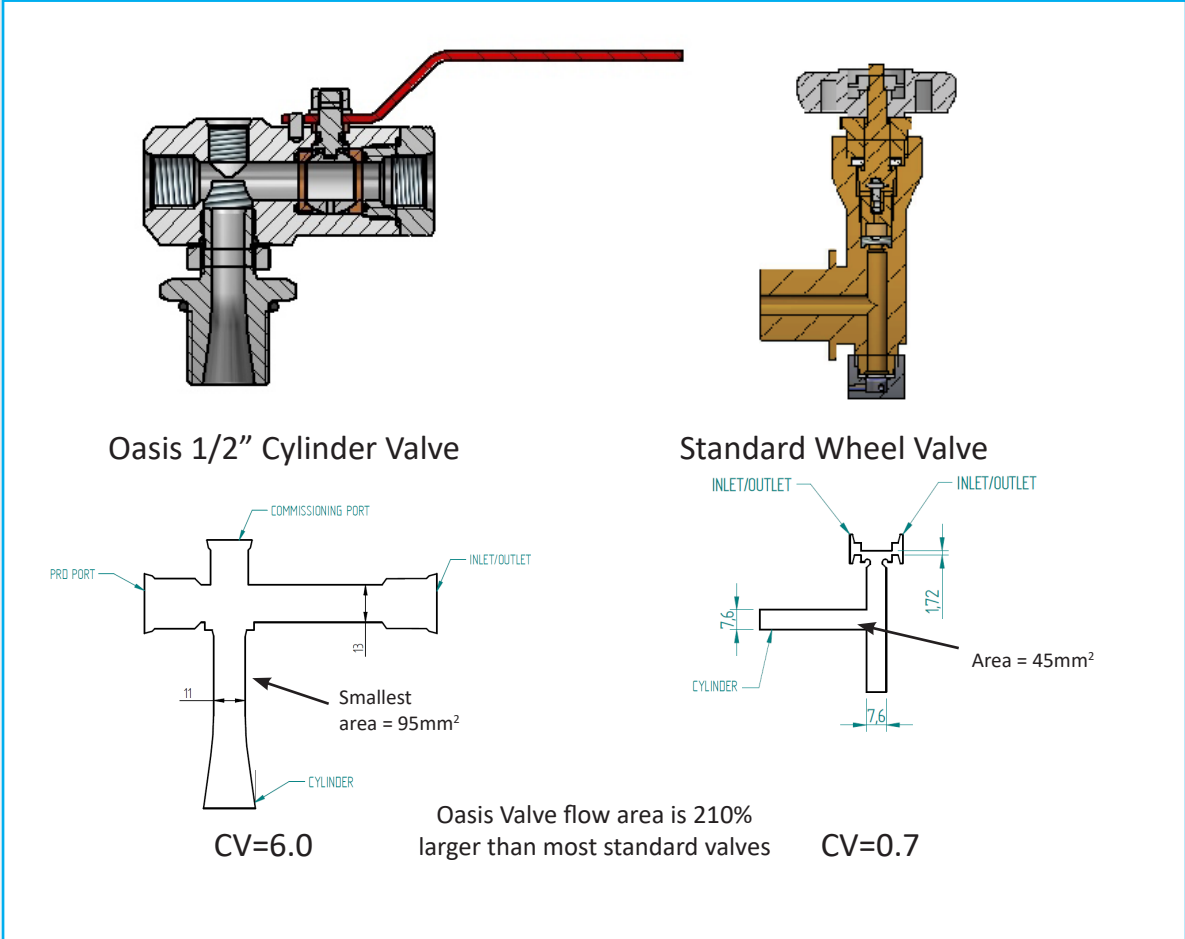


TH104-73 Commissioning Plug



# 100 Series Cylinder Valve With Commissioning Port

## Oasis Cylinder Valve vs Standard Wheel Valve Flow Area Comparison



We reserve the right to modify product specifications without prior notice.